

USB Outlet & Surge Protector

Model No.: EC6-64USA

Questions or Concerns?
(855) 686-3835 • support@etekcity.com

Thank You.

Thank you for purchasing the EC6-64USA USB Outlet & Surge Protector by Etekcity. We are dedicated to providing our customers with quality products for building a better living. Should you have any questions or concerns about using your new product, feel free to reach out to our helpful customer support team at (855) 686-3835 or by email at support@etekcity.com. We hope you enjoy your new product!

Package Contents

- 1 x USB Outlet & Surge Protector
- 1 x User Manual

Safety Information

IMPORTANT: Please read and comply with all of the instructions and warnings provided in this manual before using the product. Failure to comply with the instructions and warnings provided herein may result in inaccurate results and/or damage to the product itself.

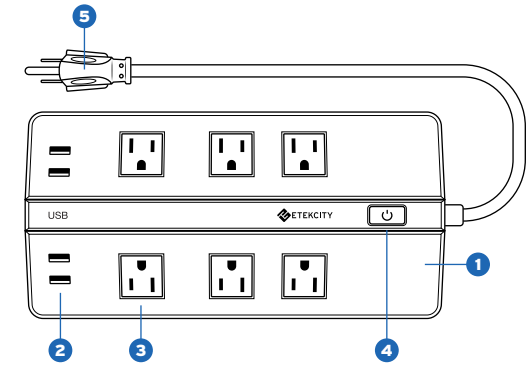
- WARNING: DO NOT** connect a device that exceeds the power ratings for this surge protector. Doing so may overheat or cause possible damage to the surge protector or other equipment.
- DO NOT** use the surge protector if the cord is damaged in any way, shape, or form. Doing so may cause electric

shock and possible injury.

- Extension cords can be used with this device; check to make sure that the extension cord can handle the voltage of the surge protector.
- DO NOT** use the surge protector if it is damaged in any way, shape, or form.
- DO NOT** attempt to repair, disassemble or modify this device under any circumstances. Doing so may damage the device or cause electric shock and possible injury.
- DO NOT** place the surge protector near any heat source or in direct sunlight.
- DO NOT** place or operate the surge protector in high-humidity environments.
- DO NOT** operate the surge protector if there is a strange odor or heat emitting from the surge protector or a connected device, contact customer support immediately.
- DO NOT** touch any electrical appliances with wet hands or handle appliances near liquids.
- Avoid using excessive force when handling the surge protector.
- Keep the surge protector dry and clean at all times.
- DO NOT** use any solvents or cleaning solutions on the surge protector. Clean only with a soft, dry cloth.
- Never overload electrical circuits as it may cause an electrical shock or fire.

Function Diagram

- Surge protector
- USB ports
- Electrical outlets
- Power button
- Plug

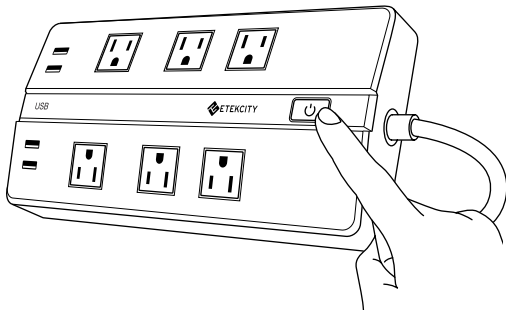


Set-up

WARNING: DO NOT connect a device that exceeds the power ratings for this surge protector. Doing so may overheat or cause possible damage to the surge protector or other equipment.

Plug the surge protector into a powered wall socket and press the power button to turn on the surge protector. Connect your desired electrical devices to the surge protector, making sure to not overload the input current (15A).

NOTE: Each USB port provides a maximum output current of 2.4A. The surge protector, with all ports combined, provides a maximum output current of 6A.



Troubleshooting

Problem	Cause	Solution
My device(s) will not charge or turn on.	Surge protector is off.	Check to make sure the power button on the surge protector is illuminated.
	Power cable is not properly connected.	Check your power cables to ensure that they're properly connected by gently pushing each connection inward.
	Power or charging cable may be defective.	Test the cable with another power adapter to ensure if the cable is functional.

Problem	Cause	Solution
Surge protector does not turn on.	Built-in surge protection may have been used to protect your connected devices.	Immediately unplug the surge protector and discontinue use. Properly dispose the surge protector at an electrical recycling facility.
	Product may be broken or defective.	Contact Customer Support.
Strange odor or heat emitting from the surge protector.	Product may be broken or defective.	Contact Customer Support.

Specifications

Power Supply	AC 120V / 60 Hz
Max Power	1875W (125V / 15A)
Max Energy Dissipation	5610 Joules
DC Output	DC 5V / 6A max
Ports	4 USB / 6 AC Outlets
Operation Temperature	-22°F ~ 129°F (-30°C ~ 65°C)
Storage Temperature	-22°F ~ 140°F (-30°C ~ 60°C)
Power Cord Length	70.8 in. (180 cm)

Warranty

TERMS & POLICY

Etekciti warrants all products to be of the highest quality in material, craftsmanship and service for a minimum of 1 year, effective from the date of purchase. Warranty lengths may vary between product categories. Etekciti will replace any product found to be defective due to manufacturer flaws based on eligibility; refunds are available within the first 30 days of purchase. This warranty extends only to personal use and does not extend to any product that has been used for commercial, rental, or any other use in which the product is not intended for. There are no warranties other than the warranties expressly set forth with each product. This warranty is non-transferrable. Etekciti is not responsible in any way for any damages, losses or inconveniences caused by equipment failure or by user negligence, abuse, or use noncompliant with the user manual or any additional safety, use, or warnings included in the product packaging and manual.

This warranty does not apply to the following:

- Damage due to abuse, accident, alteration, misuse, tampering or vandalism.
- Improper or inadequate maintenance.
- Damage in return transit.
- Unsupervised use by children under 18 years of age.

Etekciti and its subsidiaries assume no liability for damage caused by the use of the product other than for its intended use or as instructed in the user manual. Some states do not allow this exclusion or limitation of incidental or consequential losses so the foregoing disclaimer may not apply to you. This warranty gives you specific legal rights and you may also have other rights which may vary from state to state.

ALL EXPRESSED AND IMPLIED WARRANTIES, INCLUDING THE WARRANTY OF MERCHANTABILITY, ARE LIMITED TO THE PERIOD OF THE LIMITED WARRANTY.

Should your product prove defective within the specified warranty period, please return the defective unit in its original packaging with (1) an original copy of the invoice, (2) your order confirmation number, (3) and your warranty ID number.

To find out more about extending your warranty, visit www.etekcity.com/warranty or contact customer support.

Date of Purchase	
Place of Purchase	
Order Number	

Customer Support

Should you encounter any issues or have any questions regarding your new product, feel free to contact our helpful Customer Support Team. Your satisfaction is our goal!

Customer Support

Etekciti Corporation
1202 N. Miller St. Suite A
Anaheim, CA 92806

Toll-Free: (855) 686-3835
Fax: (657) 202-1693
Local: (657) 500-1872
support@etekcity.com

Support Hours

Monday - Friday:
9:00 am - 5:00 pm PST

**Please have your order confirmation number ready before contacting customer support.*



Scan here to join the community!
Visit us at www.etekcity.com