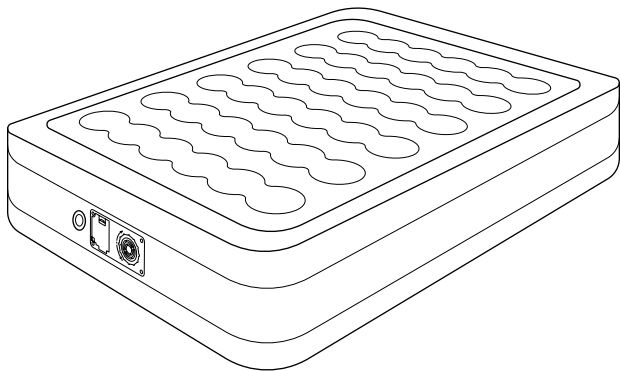


## Air Mattress

Model No.: EAM-DQ1 & EAM DT1



## **Thank You.**

Thank you for purchasing the EAM-DQ1/EAM-DT1 Air Mattress by Etekcity. We are dedicated to providing our customers with quality products for building a better living. Should you have any questions or concerns about using your new product, feel free to reach out to our helpful customer support team at (855) 686-3835 or by email at [support@etekcity.com](mailto:support@etekcity.com). We hope you enjoy your new product!

## Package Contents

1 x Air Mattress  
1 x User Manual

## Table of Contents

Safety Information	4
Main Functions	5
Set-Up	6
Operation	6
Specifications	8
Warranty	9
Customer Support	10

# Safety Information

**IMPORTANT:** Please read and comply with all of the instructions and warnings provided in this manual before using the product. Failure to comply with the instructions and warnings provided herein may result in inaccurate results and/or damage to the product itself.

**WARNING:** To reduce the risk of burns, fire, electric shock or injury:

- Always unplug the air mattress when not in use.
- Close supervision is necessary when this furnishing is used by, or near children, or people with limited mobility.
- This air mattress is only to be used for its intended use as described in this manual.
- **DO NOT** operate this device if it has a damaged cord or plug, if it is not working properly, if it has been dropped or damaged, or if it is wet.
- Keep the power cord away from heated surfaces.
- **DO NOT** block the air openings while the device is in operation.
- Always keep air openings free of lint, hair, and other small objects. Never drop or insert objects into any of the openings.

- **DO NOT** use the air mattress outdoors or in damp areas, this product is for household use only.
- **DO NOT** operate this device where aerosol (spray) products are being used or where oxygen is being administered.
- **DO NOT** use the air mattress to support video equipment such as televisions or computer monitors.
- **DO NOT** use near people using or wearing medical devices.
- Keep away from sharp objects that may damage product. Do not operate with any sharp tools or gadgets around when mattress is being used.

**CAUTION:** This device is operated with an electrical air pump that is thermally protected. The pump does not contain parts that can be repaired or serviced. Opening the pump casing may expose to the risk of electric shock. If you have any issues with the electrical pump upon arrival, please contact our helpful customer service team immediately.

- **DO NOT** open the air pump casing for any reason.
- **DO NOT** use on surfaces where heat may cause a problem.
- A fire may occur if this device touches or is

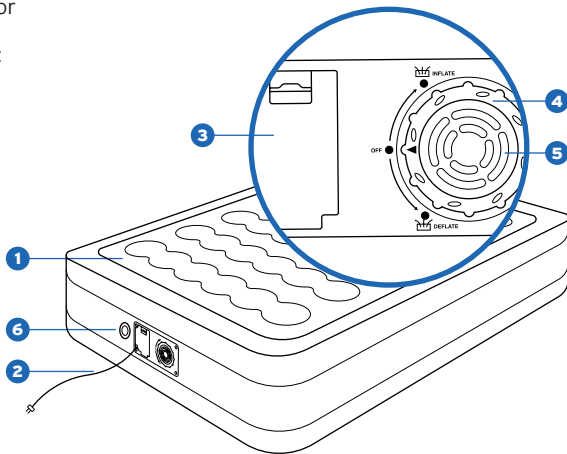
covered by flammable materials including curtains, draperies, cardboard, plastics etc., while in operation.

- **DO NOT** operate the pump in enclosed spaces that are not well-ventilated. Always ensure there is at least 2 ft. of clearance from any wall or object while the pump is in operation.
- **DO NOT** operate the pump in the presence of explosive and/or flammable fumes.
- **DO NOT** place any part of the pump or cord in or under water or other liquid.
- **DO NOT** exceed the weight limit for this device: 550 lb (EAM-DT1) and 650 lb (EAM-DQ1).

**SAVE THESE INSTRUCTIONS.**

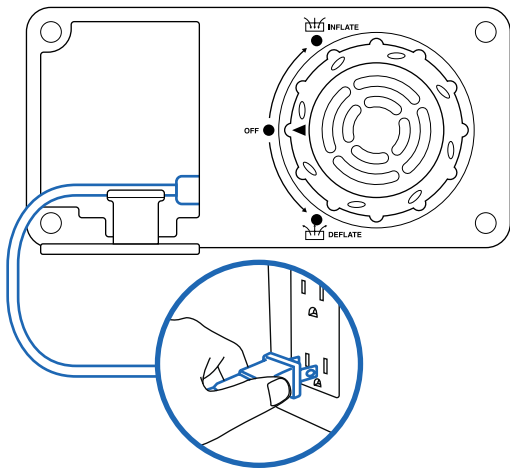
## Main Functions

1. Air Mattress (Felt Side Facing Up)
2. Power Cord
3. Power Cord Compartment
4. Control Dial
5. Control Dial Air Valve
6. Manual Inflation/Deflation Valve



## Set-Up

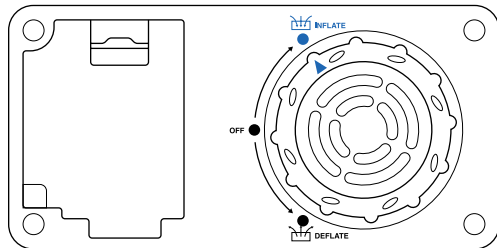
1. Remove the air mattress from its packaging and unfold it so that the felt side is facing up.
2. Open the the power cord compartment and connect the power cord to an electrical outlet.



## Operation

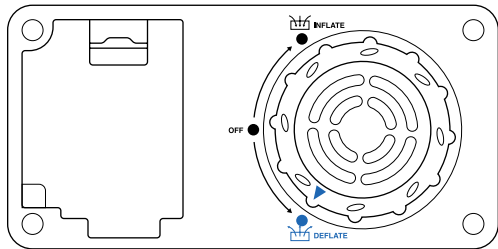
### Inflate

1. Turn the control dial clockwise to "Inflate" the air mattress.
2. Turn the control dial back to "Off" when the mattress has reached the desired firmness. Make sure the control dial is aligned with the "Off" arrow.
3. Lie on the air mattress to test the firmness.
4. Adjust the firmness by either continuing to inflate the air mattress or turn the control dial to "Deflate" to let some air out.
5. Unplug the power cord and store it in the power cord compartment.



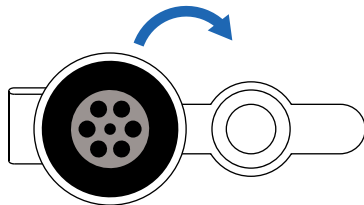
## Deflate/Storage

1. Plug in the power cord and turn the control dial counterclockwise to “Deflate” the air mattress.
2. Allow the air mattress to completely deflate. Unplug the power cord and place it back into the storage compartment.
3. Make sure the mattress is clean and dry.
4. Lay mattress felt-side up and fold the mattress into thirds, then roll up the mattress to release any remaining air.
5. Store the mattress in a cool, dry place.

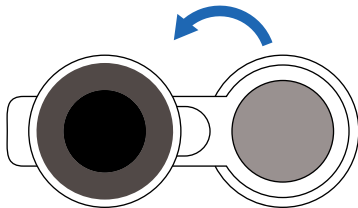


## Manual Inflation/Deflation

Open the first part of the manual inflation/deflation valve and connect an air pump or hose to the mattress. Inflate to the desired firmness and disconnect the air pump.



To deflate the mattress, fully open the manual inflation/deflation valve to release all of the air from the mattress.



# Specifications

<b>Model No.</b>	<b>EAM-DT1</b>	<b>EAM-DQ1</b>
<b>Dimensions</b>	Twin 75 x 39 x 18 in 191 x 99.1 x 45.7 cm	Queen 80 x 60 x 22 in 203 x 152 x 56 cm
<b>Max. Weight Capacity</b>	550 lb	650 lb
<b>Rated Power</b>	130W	130W



# Warranty

## Terms & Policy

Etekcitly warrants all products to be of the highest quality in material, craftsmanship and service for a minimum of 1 year, effective from the date of purchase. Warranty lengths may vary between product categories. Etekcitly will replace any product found to be defective due to manufacturer flaws based on eligibility; refunds are available within the first 30 days of purchase. This warranty extends only to personal use and does not extend to any product that has been used for commercial, rental, or any other use in which the product is not intended for. There are no warranties other than the warranties expressly set forth with each product.

This warranty is non-transferrable. Etekcitly is not responsible in any way for any damages, losses or inconveniences caused by equipment failure or by user negligence, abuse, or use noncompliant with the user manual or any additional safety, use, or warnings included in the product packaging and manual.

### **This warranty does not apply to the following:**

- Damage due to abuse, accident, alteration, misuse, tampering or vandalism.
- Improper or inadequate maintenance.
- Damage in return transit.
- Unsupervised use by children under 18 years of age.

Etekcitly and its subsidiaries assume no liability for damage caused by the use of the product other than for its intended use or as instructed in the user manual. Some states do not allow this exclusion or limitation of incidental or consequential losses so the foregoing disclaimer may not apply to you. This warranty gives you specific legal rights and you may also have other rights which may vary from state to state.

### **ALL EXPRESSED AND IMPLIED WARRANTIES, INCLUDING THE WARRANTY OF MERCHANTABILITY, ARE LIMITED TO THE PERIOD OF THE LIMITED WARRANTY.**

Should your product prove defective within the specified warranty period, please return the defective unit in its original packaging with (1) an original copy of the invoice, (2) your order confirmation number, (3) and your warranty ID number.

To find out more about extending your warranty, visit [www.etekcity.com/warranty](http://www.etekcity.com/warranty) or contact customer support.

Date of Purchase	
Place of Purchase	
Order Number	

# Customer Support

Should you encounter any issues or have any questions regarding your new product, feel free to contact our helpful Customer Support Team. Your satisfaction is ours!

## Customer Support

Etekcite Corporation  
1202 N Miller St. Suite A  
Anaheim, CA 92806

Toll-Free: (855) 686-3835  
Fax: (657) 202-1693  
Local: (657) 500-1872  
Email: [support@etekcity.com](mailto:support@etekcity.com)

## Support Hours

Monday - Friday:  
9:00 am - 5:00 pm PST

*\*Please have your order confirmation number ready before contacting customer support.*

**Connect with us @Etekcity.**





Scan here to join the community!  
Visit us at **[www.etekcity.com](http://www.etekcity.com)**